



## N Male—N Male Adaptor

**McGill Part No:** NM-NM-ADPT

McGill Microwave are a leading supplier of in-series and inter-series precision RF adaptors, covering the full frequency range DC-110 GHz.

All interface types and style are available from Ultra High Performance, Precision Metrology grade to general purpose use including Hermetically Sealed versions and high corrosion resistance Stainless Steel designs.

The McGill Microwave Systems N Male—N Male Adaptor (NM-NM-ADPT) provides the ideal solution to join 2 N Male Connectors and pass RF/Microwave frequencies to 6 GHz, whilst offering an industry leading low VSWR performance of 1.15:1 Maximum.

Electrical Specifications	
Item	Value
Impedance	50 Ω
Frequency Range	DC-6GHz
VSWR	≤1.15 (DG-6GHz)
Withstand Voltage	500V rms
Insulation Resistance	>5000MΩ

Mechanical Specifications	
Item	Value
Temperature Range	-65 / +165 °C
Mating Cycles	>500
Connector A	N Male
Connector B	N Male

Material Specifications		
Item	Base Material	Plating
Body & Coupling Nut	Brass	Nickel
Centre Conductor	Brass	Gold
Gasket	6146 Silastic	N/A
Insulator	PTFE	N/A

### Contact us for more details

Unit 5, Block 9 Mitchelston Ind Est, Kirkcaldy, Fife, KY1 3PE, UK

Email: [contact@mcgillmicrowave.com](mailto:contact@mcgillmicrowave.com)

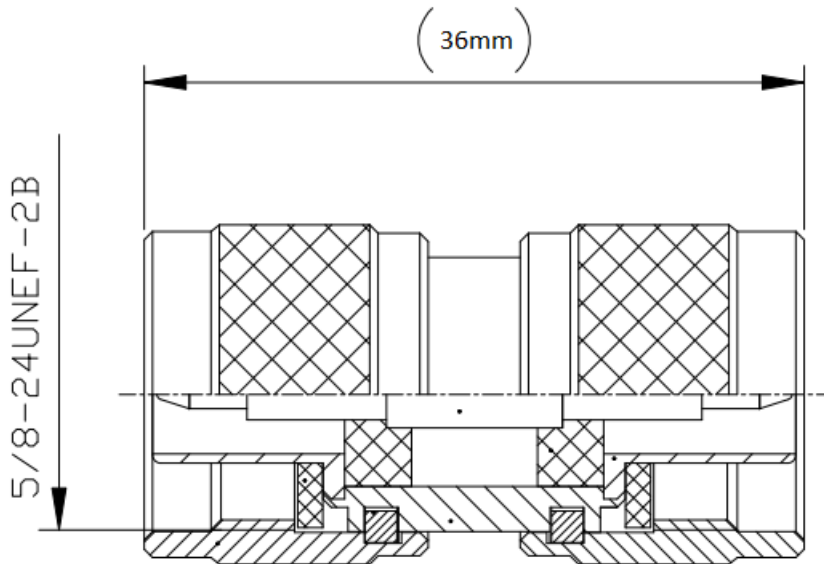
Tel: UK +44 (0)1592 655428





## N Male—N Male Adaptor

McGill Part No: NM-NM-ADPT



Interface Standards
MIL-C-39012
IEC 60169-11
CECC22210

### Contact us for more details

Unit 5, Block 9 Mitchelston Ind Est, Kirkcaldy, Fife, KY1 3PE, UK

Email: [contact@mcgillmicrowave.com](mailto:contact@mcgillmicrowave.com)

Tel: UK +44 (0)1592 655428

